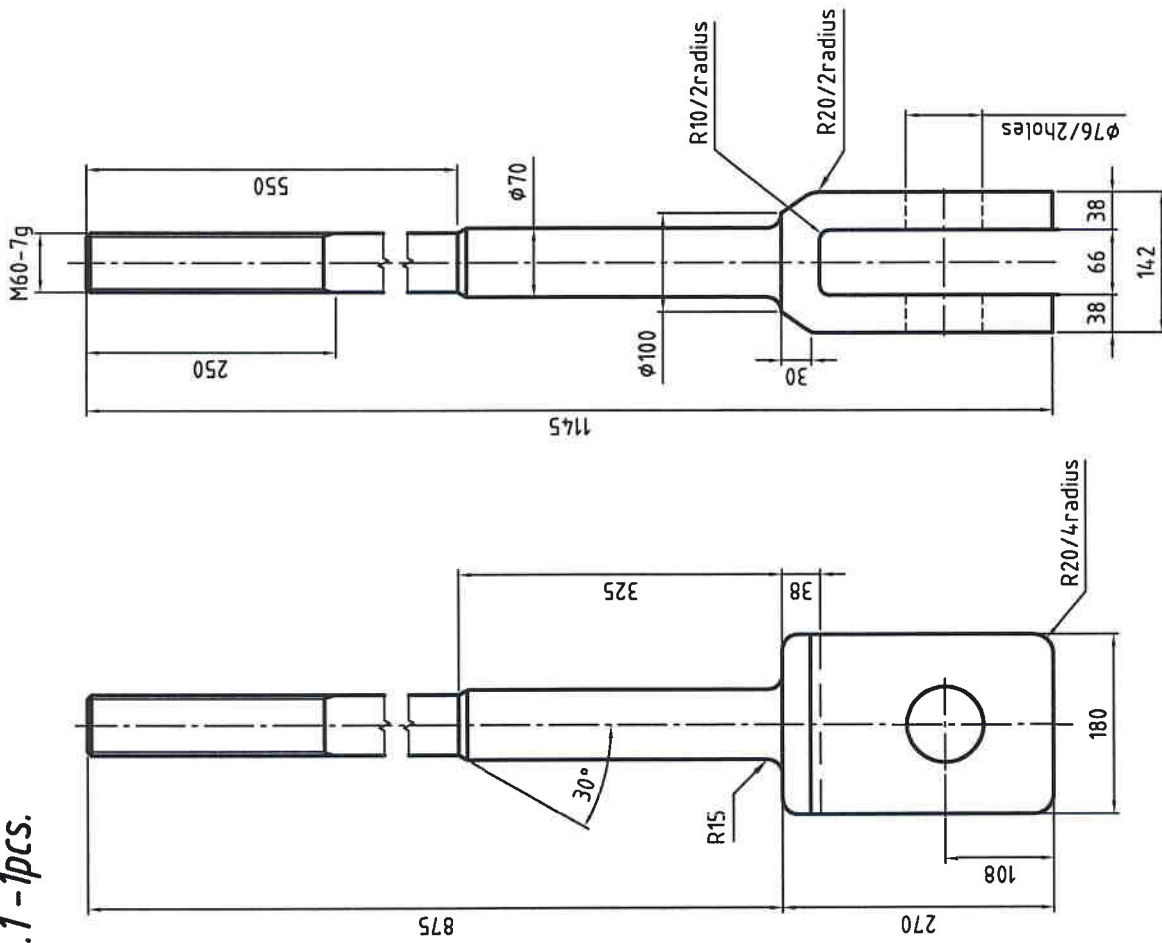
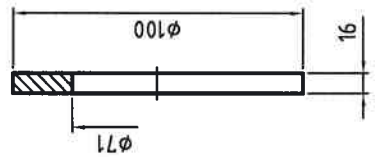


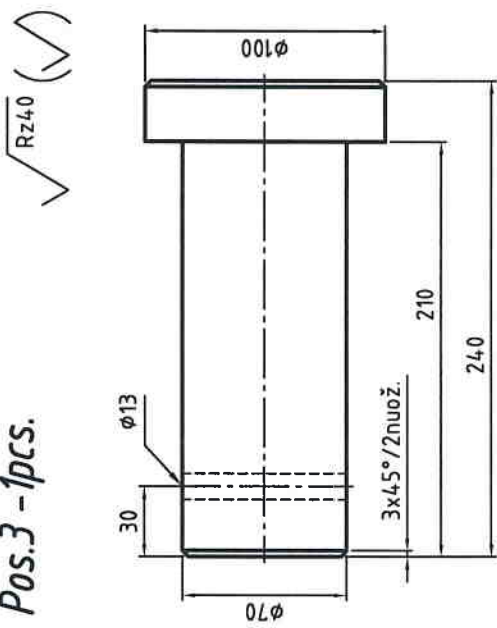
Pos.1 - 1pcs.



Pos.2 - 1pcs.

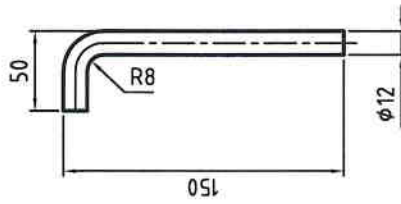


Pos.3 - 1pcs.

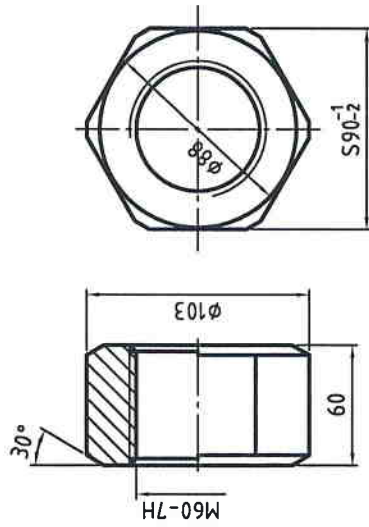


Rz4.0

Pos.4 - 1pcs.



Pos.5 - 2pcs.



1. H12, h12, js14

2. 1x45°

3. Inspection: PT-100%; PMI; certificate 3.1 EN10204

AB "ORLEN Lietuva"
Mechanikos skyrius

Scale 1:5

Surface

Position

Quantity

Dwg.No. AN-16-189.1

Rev.00

Name

Date

Drawn 2017.07.03 A. MORIKIUS

Checked 2017.07.03 V. Kumštylis

Standard

File Name KR-701-IPakaba

Date

Name

Changes

6

8

Page

ASTM A351 HK40 (25Cr/20Ni)

KR-701/1,2 KT

Hanger

Rev.00

1:5

Quantity

Position

Dwg.No. AN-16-189.1

Surface

Scale

Quantity

Position

Dwg.No. AN-16-189.1

Surface

Scale

Quantity

Position

Dwg.No. AN-16-189.1